

E-PTZ228-Z4^{PLUS}

2MP Network PTZ Camera



Accessories

PFA137



PFB203W



PFA106



PFB220 C



PFA152-E



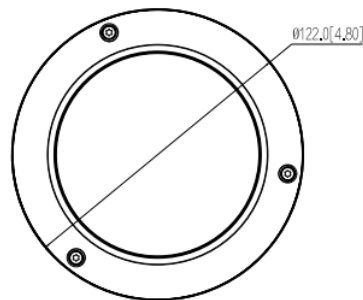
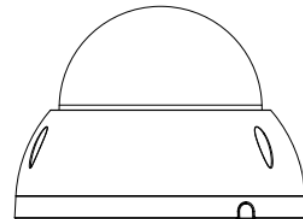
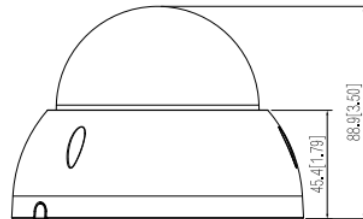
PFB200C



Installation Method

Ceiling Mount	Ceiling Mount	Junction Box Mount
In-ceiling Mount	Pole Mount (Vertical)	Pole Mount (Horizontal)
Wall Mount		

Dimensions mm (inch)



Technical Specification

Camera

Image Sensor	1/2.8" CMOS
Pixel	2 MP
Max. Resolution	1920 (H) × 1080 (V)
ROM	128 MB
RAM	256 MB
Electronic Shutter Speed	1/1 s–1/30,000 s
Scanning System	Progressive
Min. Illumination	Color: 0.005 lux@F1.6 B/W: 0.0005 lux@F1.6

Lens

Focal Length	2.8 mm–12 mm			
Max. Aperture	F1.6–F3.0			
Field of View	H: 99.1°–31.9°; V: 53.4°–18.0°; D: 117.7°–36.6°			
Optical Zoom;	4×			
Focus Control	Auto; semi-auto; manual			
Iris Control	Fixed			
DORI Distance	Detect	Observe	Recognize	Identify
	165.5 m	65,4 m	33,1 m	16,6 m

PTZ

Pan/Tilt Range	Pan: 0° to 355° Tilt: 0° to +90°
Manual Control Speed	Pan: 0.1°/s–100°/s Tilt: 0.1°/s–60°/s
Preset Speed	Pan: 100°/s; Tilt: 60°/s
Preset	300
Tour	8 (up to 32 presets per tour)
Pattern	5
Idle Motion	Pattern; Preset; Tour
PTZ Protocol	SD Pelco-P/D(Auto recognition)

Intelligence

IVS (Perimeter Protection)	Tripwire; intrusion; crossing fence detection; loitering detection; abandoned/missing object; fast moving; parking detection; people gathering; vehicle/human alarm classification
Face Detection	Supports face detection, face track, snapshot, and face enhancement; Supports face cutout: Face, one-inch photo; Capturing strategies include real-time capturing and quality first.
SMD	Yes

Video

Video Compression	H.264H; H.264B; Smart H.265+; H.264; H.265; MJPEG(Sub Stream); Smart H.264+
Streaming Capability	3 streams
Resolution	1080p (1920 × 1080); 1.3M (1280 × 960); 720p (1280 × 720); D1 (704 × 576); CIF (352 × 288); VGA (640 × 480)
Video Frame Rate	Main stream: 1080p/1.3M/720p@(1–25/30 fps) Sub stream 1: D1/VGA/CIF@(1–25/30 fps) Sub stream 2: 1080p/1.3M/720p@(1–25/30 fps)
Bit Rate Control	CBR/VBR
Video Bit Rate	H.264: 2048 kbps–8192 kbps H.265: 768 kbps–6400 kbps
Day/Night	Auto(ICR)/Color/B/W
BLC	Yes
HLC	Yes
WDR	DWDR
White Balance	Auto; indoor; outdoor; ATW; manual; sodium lamp; natural light; street lamp
Gain Control	Auto; manual
Noise Reduction	2D NR; 3D NR
Motion Detection	Yes
Region of Interest (Rol)	Yes
Image Stabilization	Yes
Defog	Electronic defog
Digital Zoom	16×
Image Rotation	180
S/N Ratio	≥ 55 dB

Network

Network Port	RJ-45 (10/100 Base-T)
Network Protocol	HTTP; HTTPS; TCP/IP; IPv4; RTSP; UDP; SMTP; NTP; DHCP; DNS; DDNS; IPv6; 802.1x; SSL; Qos; FTP; UPnP; ICMP; SNMP; IGMP; ARP; RTCP; RTP; PPPoE; RTMP; Bonjour; SAMBA; NFS
Interoperability	ONVIF(Profile S&G&T); P2P; CGI; SDK
Streaming Method	Unicast/Multicast
User/Host	20 (total bandwidth: 64 M)
Storage	FTP; Micro SD card (512 GB); NAS
Browser	IE 9 and later versions Chrome 41 and later versions Firefox 50 and later versions iOS 10 and later versions.
Management Software	DSS; EasyViewer Pro
Mobile Client	iOS; Android

Technical Specification

Certification

Certifications	CE: CE-LVD: IEC 62368-1/ CE-EMC/EN 55032/EN IEC 61000-3-2/EN55024/EN55035/EN50130-4 FCC: 47 CFR FCC Part15, Subpart B, ANSI C63.4:2014
----------------	---

Port

Alarm Linkage	Capture; preset; tour; pattern; recordings on SD card; alarm digital input; send email
Alarm Event	Motion/Tampering detection; network disconnection detection; IP conflict detection; memory card state detection; memory space detection; power exception detection

Power

Power Supply	12 VDC, 1 A \pm 10% POE (802.3af)
Power Consumption	Basic: 2.3 W Max.: 6.1 W

Environment

Operating Temperature	-30 °C to +60 °
Operating Humidity	\leq 95%
Storage Temperature	-40 °C to +60 °C
Storage Humidity	10%–95% (RH), non-condensing
Protection	IP66, IK10

Structure

Product Dimensions	89 mm \times Φ 122 mm
Net Weight	0,5 kg
Gross Weight	0,7 kg