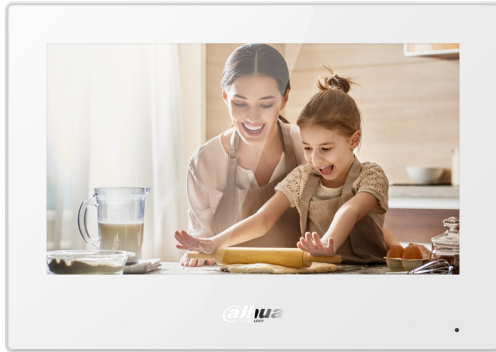


DHI-VTH5321GW-W/DHI-VTH5321GB-W

Android IP Indoor Monitor



- Android 8.1
- More User-Friendly UI
- Ethernet and Wi-Fi
- 7" TFT Capacitive touch Screen, 1024x600
- Quick configuration for villa system



Technical Specification

System

Main Processor	Embedded processor
Operating System	Android 8.1
Network Protocol	IPv4, TCP, SIP, UDP, RTSP

Basic

Screen Type	Capacitive screen
Display Screen	7 inch TFT LCD
Resolution	1024x600
Video Compression	H.264
Audio Compression	PCM
Audio Input	1 omnidirectional microphone
Audio Output	Built-in 1W speaker
Audio Mode	Two-way audio
Audio Enhancement	Echo suppression/DNR
Audio Bit Rate	16KHz, 16Bit

Function

Communication Mode	Full digital
Information Release	Text announcements released by the management center can be viewed
Elevator Control	You can control the elevator through the indoor monitor
Leave Videos or Text Messages	Yes (SD card is needed)
DND Mode	Do not disturb period can be set.
Extension Number	Villa: 4 (Calls can be made among up to 3 indoor monitors when only Wi-Fi is connected.) Apartment: 9

Wi-Fi	Yes
Wireless Standard	IEEE802.11b/802.11g/802.11n
Wireless Frequency Range	2.4GHz
Wireless Security-Encryption	64/128bit WEP, WPA/WPA2, WPA-PSK/WPA2-PSK, WPS
Storage	Micro SD storage, the maximum space is 256GB

Performance

Casing	PC+ABS
--------	--------

Port

RS-485	1
Alarm Input	8
Alarm Output	1
Power Output	1 12V/100mA
Door Bell	Yes, use alarm input port
Network	1 10M/100M Ethernet

Alarm

SOS	Yes
-----	-----

General

Color	White/Black
Power Supply	12V DC 1A POE(802.3AF)
Installation	Surface mount
Certifications	CE FCC
Accessory	Surface mount bracket, alarm ribbon cable, RS-485 cable, and power-supply pins are provided
Product Dimensions	189.6 mm × 134.6 mm × 26 mm (7.46"×5.30"×1.02")

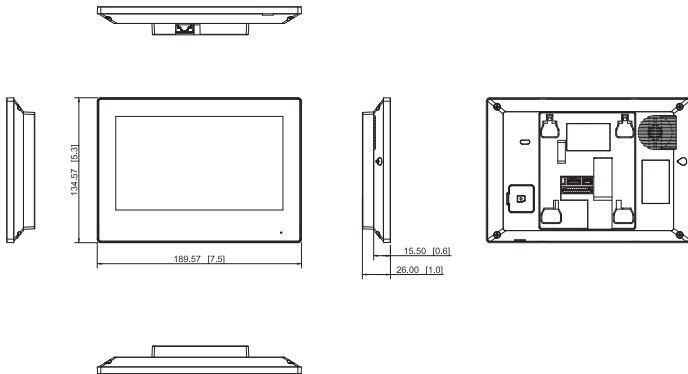
VTH5 Series | DHI-VTH5321GW-W/DHI-VTH5321GB-W

Operating Temperature	-10°C to +55°C (+14°F to +131°F)
Operating Humidity	10%RH-95%RH (Non-condensing)
Operating Altitude	Less than 3,000 meters (9842.52 ft)
Power Consumption	≤1.5W (standby), ≤7W (working)
Net Weight	385 g (0.85 lb)
Gross Weight	490 g (1.08 lb)

Ordering Information

Type	Model	Description
Digital Indoor Monitor	DHI-VTH5321GW-W	Android IP Indoor Monitor
Digital Indoor Monitor	DHI-VTH5321GB-W	Android IP Indoor Monitor

Dimensions (mm[inch])



Application

